

LIQUID WITHDRAWAL DEVICE

For Liquid Nitrogen LD25, LD35, and 50LD Dewars

The Liquid Withdrawal Device (LWD) provides convenient pressure transfer to liquid nitrogen from LD25, LD35, and 50LD Dewars. The device clamps directly to the special neck flange that is found under the plastic trim collar around the neck of these containers.

Flow rates up to 8 liters per minutes are possible at operating pressures up to 10 psig (0.7 bar/69 kPa). Liquid can be dispensed directly from the LWD via the spout provided, or through a standard cryogenic hose connected to the liquid outlet.

Filling a Dewar is accomplished by pressure transfer through the withdrawal device. (See Filling Instructions.) This filling method allows replenishment of the liquid supply in the Dewar **without removing** the LWD, while keeping the liquid saturated at a pressure sufficient to sustain liquid withdrawal.



Safety

Before using this equipment, read these instructions carefully. Also, read and understand the instructions supplied with your Dewar and the Handle with Care booklet packed with all Liquid Nitrogen Dewars. The Handle with Care booklet (Form TW-10) gives detailed information on the safe handling of liquid nitrogen. Additional copies of these publications can be obtained from your supplier. Do not modify LWD or Dewar or use in a manner other than that described in accompanying instructions and documentation.

Contact with liquid nitrogen or cold gas may cause serious freezing (frostbite) injury. Do not touch liquid or cold metal surfaces with your bare skin. Always wear a face shield and gloves when transferring liquid nitrogen.

Nitrogen gas can cause suffocation without warning. In a confined area, nitrogen gas from this equipment may displace air required for breathing. Store and use this equipment only in well-ventilated areas.

Use only containers designed for low-temperature liquids. Cryogenic containers should be filled SLOWLY to minimize stresses which can damage the container.

Vent all pressure from a Dewar before attempting to remove the Liquid Withdrawal Device. If the band clamp securing the LWD to a dewar is loosened while there is pressure in the Dewar, cold gas or liquid could be expelled causing personal injury.

Liquid Withdrawal Device is for use with liquid nitrogen only. LWD is for use on specific model Taylor-Wharton Dewars listed above.

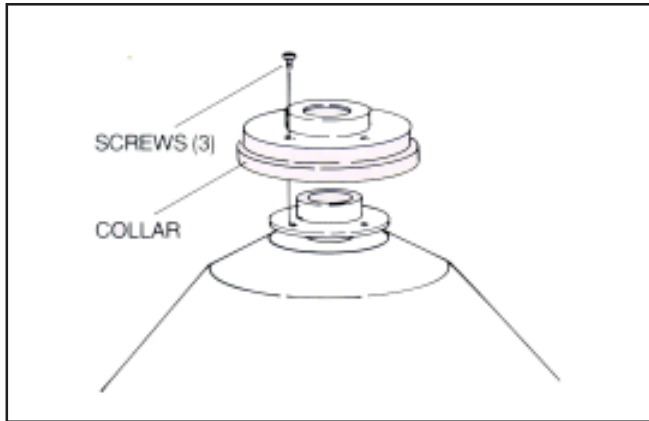
Pressure in Dewar with LWD installed should never exceed 10 psi. Fill dewar from supply source at 22 psi or less. Do not pressurize using compressed air.



Taylor-Wharton

Installation

1. Remove the necktube cap/core from the Dewar.
2. Remove 3 flat-head mounting screws in the base of the plastic trim collar around the neck of the Dewar, remove the collar and discard or save for later. It is not used while the LWD is installed.



3. The liquid withdrawal tube (the longer of the two plastic tubes) is scored approximately 6 in. (152 mm) from the end. This tube must be shortened for use with a LD25 or LD35 Dewar by breaking off the 6 in. (152 mm) section. Discard the 6 in. (152 mm) piece. The tube is used as supplied with the LD50.
4. Insert the longer plastic tube into the underside of the flange assembly, beneath the LIQUID valve. Insert the shorter plastic tube into the threaded fitting on the underside of the flange assembly, beneath the VENT

valve. Tighten the compression nuts with a wrench to secure.

5. Position the safety cable assembly around the top of the Dewar, underneath the flange. Loosen V-Band Clamp until the clamp is large enough to remove from the LWD. Drop the band clamp around the flange on the Dewar (see Figure 2).

6. Clean the flange O-ring and apply a thin layer of silicone grease before placing it on the grooved flange.

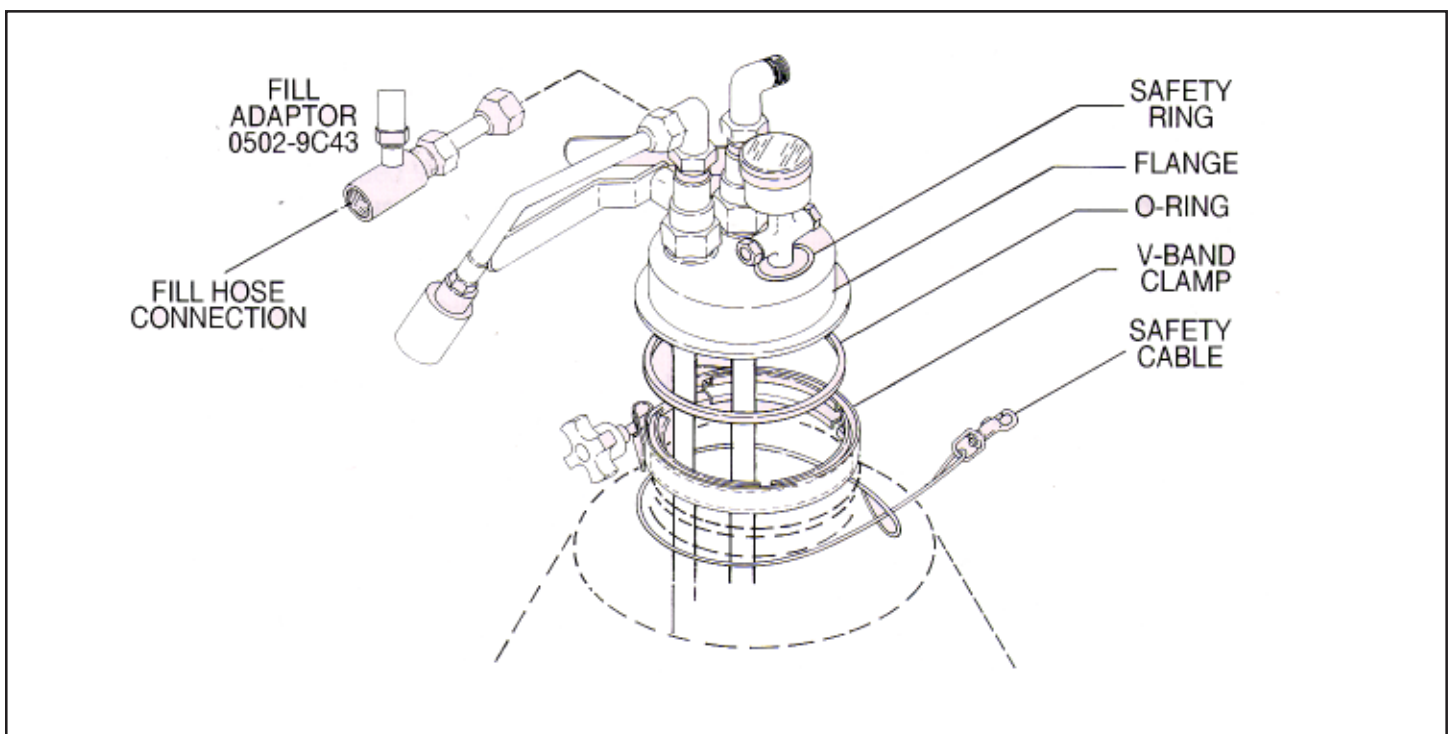
NOTE: Be sure flanges surfaces are warm, clean and dry. The O-ring must be cleaned and lightly lubricated before installing the LWD.

7. Carefully lower the LWD unit into the Dewar. The LWD should rest firmly centered on the neck flange of the Dewar; the liquid withdrawal tube should not touch the bottom of the Dewar.

8. Place the band clamp around the flanges of both the LWD unit and the Dewar. Be sure that the clamp is properly engaged on both flanges. Tighten the clamp – hand tighten only.

9. Attach the snap of the safety cable to the ring on the LWD (see figure 2).

10. If the spout assembly is to be used, install it on the outlet fitting above the LIQUID valve. The phase separator will ensure a controlled flow of liquid.



Installation (cont.)

11. To remove the LWD, first open the VENT valve to release all pressure in the Dewar. Then loosen the band clamp enough to allow it to pass over the Dewar flange, disengage the cable snap from the ring on the LWD and lift the withdrawal unit out of the Dewar.

Operation

Filling – It is not necessary to remove the LWD unit from the Dewar for filling. You may fill the Dewar by pressure-transfer of liquid nitrogen through the LIQUID valve of the LWD.

WARNING: Over pressurization of the Dewar could result in serious bodily injury or property damage. Never exceed the 10 psig (0.7 bar/69kPa) relief valve pressure setting of the LWD.

To fill, remove the spout assembly and connect a 22 psig (1.52 bar/152kPa) or lower pressure liquid supply cylinder to the withdrawal device using a liquid nitrogen transfer hose and the fill adapter with the LWD.

WARNING: The transfer hose must be used with a pressure relief valve to prevent excessive pressure buildup in the hose when the valves are closed at both ends of the hose. If liquid nitrogen is trapped between the valves of the liquid cylinder and the LWD, it has no escape path as it warms and expands. The resulting pressure can cause the hose to rupture and may cause personal injury. The current model LWD is equipped with a pressure relief valve. Previous versions of the LWD must be used with a transfer hose equipped with a pressure relief valve.

Once the transfer hose is connected, open the LWD VENT valve first and then open the LWD LIQUID valve. Then slowly open the liquid valve on the supply cylinder until liquid flow is established. Adjust the VENT valve to maintain a back pressure of 8 to 10 psig (0.6 bar/55 kPa to 0.7 bar/69 kPa) in the Dewar. When liquid sputters from the VENT valve, quickly close the liquid valve on the supply cylinder, next the LWD LIQUID valve and then the LWD VENT valve.

WARNING: Closely monitor Dewar pressure throughout the fill process. Never let the pressure exceed 10 psig (0.7 bar/69 kPa). If the pressure approaches 10 psig, immediately fully open the LWD VENT valve and/or close the LWD LIQUID valve as necessary to control the pressure in the Dewar.

Loosen the hose connection slowly and allow all pressure and any remaining liquid to be verified before completely disconnecting the hose.

The primary relief valve, set at 10 psig (0.7 bar/69 kPa), maintains the normal operating pressure of the LWD. A

secondary relief valve, set at 15 psig (1.0 bar/103 kPa), prevents hazardous pressure rise in the event of primary relief valve malfunction or if its capacity is exceeded. Never replace either of these parts with higher value relief valves; increasing the pressure in the Dewar beyond 15 psig (1.0 bar/103 kPa) may burst the Dewar and cause personal injury/property damage.

To fill the Dewar by pouring liquid from another container, **(This is not the recommended filling method)** first open the VENT valve to release pressure. Then, loosen the band clamp, unsnap the safety cable, and remove the LWD unit. When replacing the LWD on the filled Dewar, leave the VENT valve open until the flanges are securely clamped. To pressurize the Dewar for liquid withdrawal, refer to “Pressure Building” below.

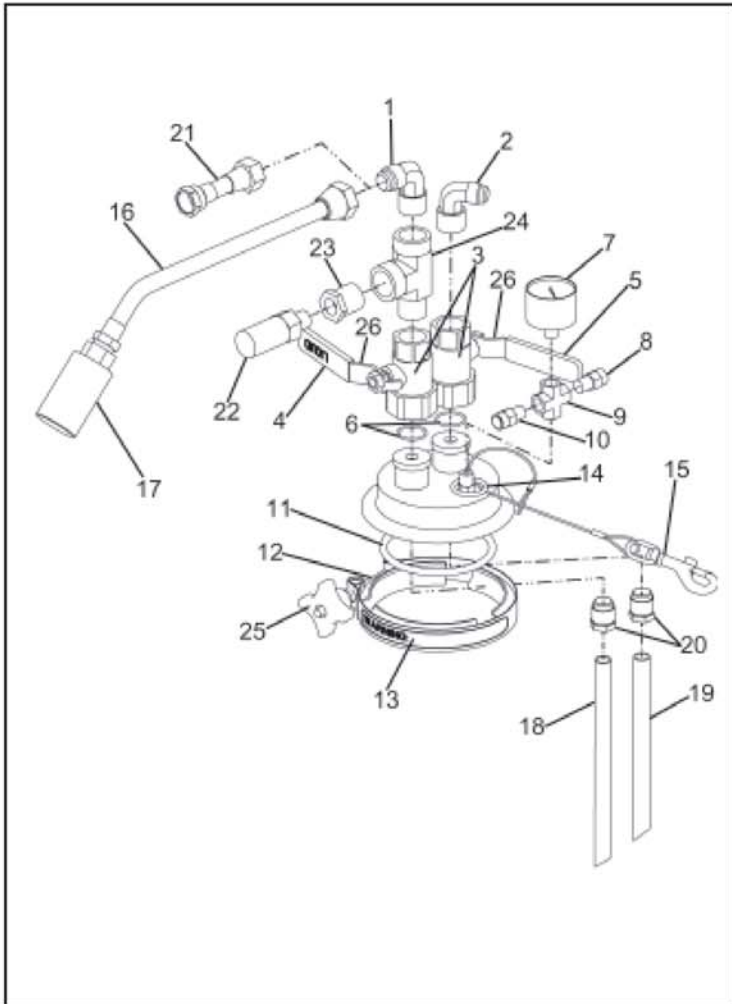
Note: Be sure flanges surfaces are warm, clean and dry. The o-ring must be cleaned and lightly lubricated before replacing the LWD.

Liquid Withdrawal – When the liquid valve is opened, pressure in the Dewar forces liquid to go up through the withdrawal tube and out through the valve. The liquid nitrogen can be dispensed through the spot or through plumbing connected to the liquid outlet.

Pressure Building – If the Dewar is filled properly, liquid nitrogen evaporation will normally maintain a pressure sufficient to sustain liquid withdrawal. However, if pressure is lost, bubbling dry nitrogen gas through the liquid may restore proper operating pressure. This adds heat to the liquid, causes evaporation, and increases pressure. Connect a pressure-regulated – 8 to 10 psig (0.6 bar/55 kPa to 0.7 bar/69 kPa) – source of dry nitrogen gas to the LIQUID connection. Open the LIQUID valve and adjust the VENT valve to maintain a back pressure of 8 to 10 psig (0.6 bar/55 kPa to 0.7 bar/69 kPa) while the gas bubbles up through the liquid. After several minutes, close the valves and read the pressure gauge. If the pressure does not remain above the 5 psig (0.3 bar/34 kPa), resume the gas flow until the liquid has warmed enough to provide normal operating pressure.

External pressurization can be applied while withdrawing liquid from the Dewar by connecting a supply of nitrogen gas, regulated to a pressure of 8 to 10 psig (0.6 bar/55 kPa to 0.7 bar/69 kPa), to the vent valve connection.

Replacement Parts



Item	Description	Part No.
1	Elbow, Liquid	6814-9222
2	Elbow, Vent	6814-9225
3	Valve (Liquid/Vent)	6986-9004
4	Valve Handle Cover, Liquid	D050-8C18
5	Valve Handle Cover, Vent	D050-8C19
6	O-Ring for valve	8830-6142
7	Pressure Gauge	
	0-30 psig (0-2 bar/207 kPa)	7702-6091
8	Relief Valve	
	10 psig (0.7 bar/69 kPa)	6913-9044
9	Cross, 1/8" NPT	6817-5056
10	Relief Valve	
	15 psig (1.0 bar/103 kPa)	6913-9046
11	O-Ring for flange	8830-6135
12	J-Band Coupling, w/ Warning Decal	D050-8C12
13	Warning Label	D050-8C21
14	Ring for Safety Cable	8830-6311
15	Safety Cable Assembly	D050-8C20
16	Spout Assembly	D050-8C14
17	Phase Separator	1193-8C80
	(part of Spout Assembly)	
18	Tube, Liquid Withdrawal	D050-8C22
19	Tube, Vent	D050-8C23
20	Locknut, Compression	D050-8C25
21	Adaptor, Fill	D050-9C43
22	Relief Valve	
	22 psig (2.4 bar/241 kPa)	6913-9069
23	Hex Bushing, 1/2" X 1/4", Brass	6810-8998
24	Street Tee, 1/2" NPT	6816-9210
25	V-Band Clamp Tightening Knob	7342-1125
26	Valve Replacement Handle	7801-5051

Ordering Information – Order all replacement parts and accessories from your distributor. Please include the part and model number of your refrigerator, quantity, and description of each part requested. For more information or the name of your local distributor, contact Taylor-Wharton at the address listed.



Taylor-Wharton

Taylor-Wharton

4075 Hamilton Boulevard

Theodore, AL 36582

Phone (334) 443-8680

Fax: (334) 443-2250

In U.S. and Canada: (800) TW TANKS (898-2657)