

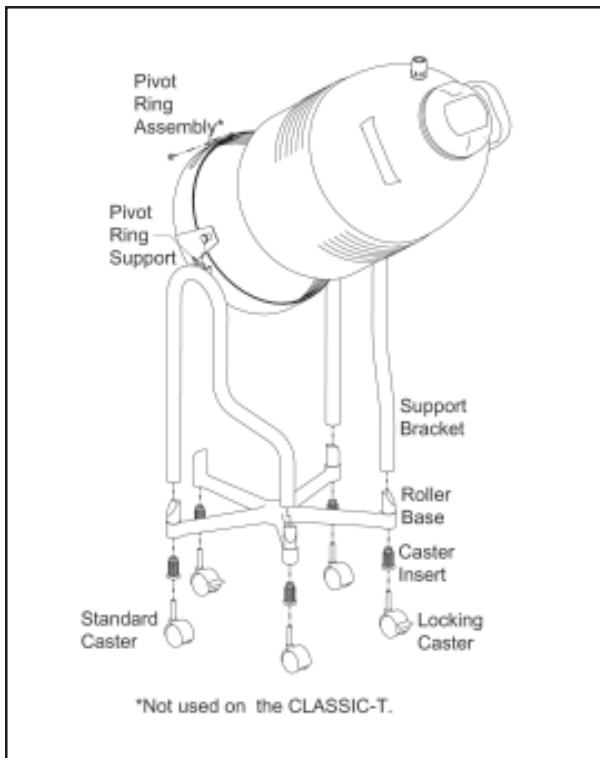
TIPPING STAND

Assembly Instructions

This accessory is intended to provide mobility and assist in transferring liquid nitrogen from the model LD25, 25LD or the CLASSIC-T Dewar. The easy-to-assemble stand has a 5 wheel cast-aluminum dolly for handling convenience and side brackets to support the weight of the Dewar while you tip the unit forward to pour. When not in use, the weight of the contents returns the Dewar to an upright position. To position the Dewar in the stand, secure the unit in the pivot ring so that it balances itself upright when in storage or travel and yet allows you to safely control the unit while pouring.

Caution: Avoid liquid nitrogen over-filling. Adhesives that are subjected to extreme cold should be inspected and, if needed, should be replaced.

LIQUID NITROGEN CAN PRESENT HAZARDS THAT RESULT IN PERSONAL INJURY. To protect yourself and others, read TW-10 "Handle with Care", and the Operating Instructions that are provided with Dewar.



Tipping Stand Drawing

Assembly Instructions

- Slide the **support brackets** down, over the smooth **roller base pegs**, so that the **pivot ring supports** are directed inward.
- Remove the nut on the **pivot ring** to loosen the assembly. Position the Dewar in place, leaving one corrugation showing above the ring. Tighten the nut back into place.
- Slide the **pivot ring assembly** into place and press down into position. If necessary, reposition the Dewar in the pivot ring to get the proper balance described above.

REPLACEMENT PARTS

Description	Part Number
Roller Base	D025-8C10
Support Bracket, Left	D025-9C19
Support Bracket, Right	D025-9C20
Caster, Standard	7300-8069
Caster, Locking	7300-8072
Pivot Ring Assembly	D225-8C22
Caster Insert	7300-8068



Taylor-Wharton

Taylor-Wharton
 4075 Hamilton Blvd.
 Theodore, AL 36590-0588
 Phone: (251) 443-8680
 (800) TW TANKS (898-2657)
 Fax: (251) 443-2250
www.taylorwharton.com