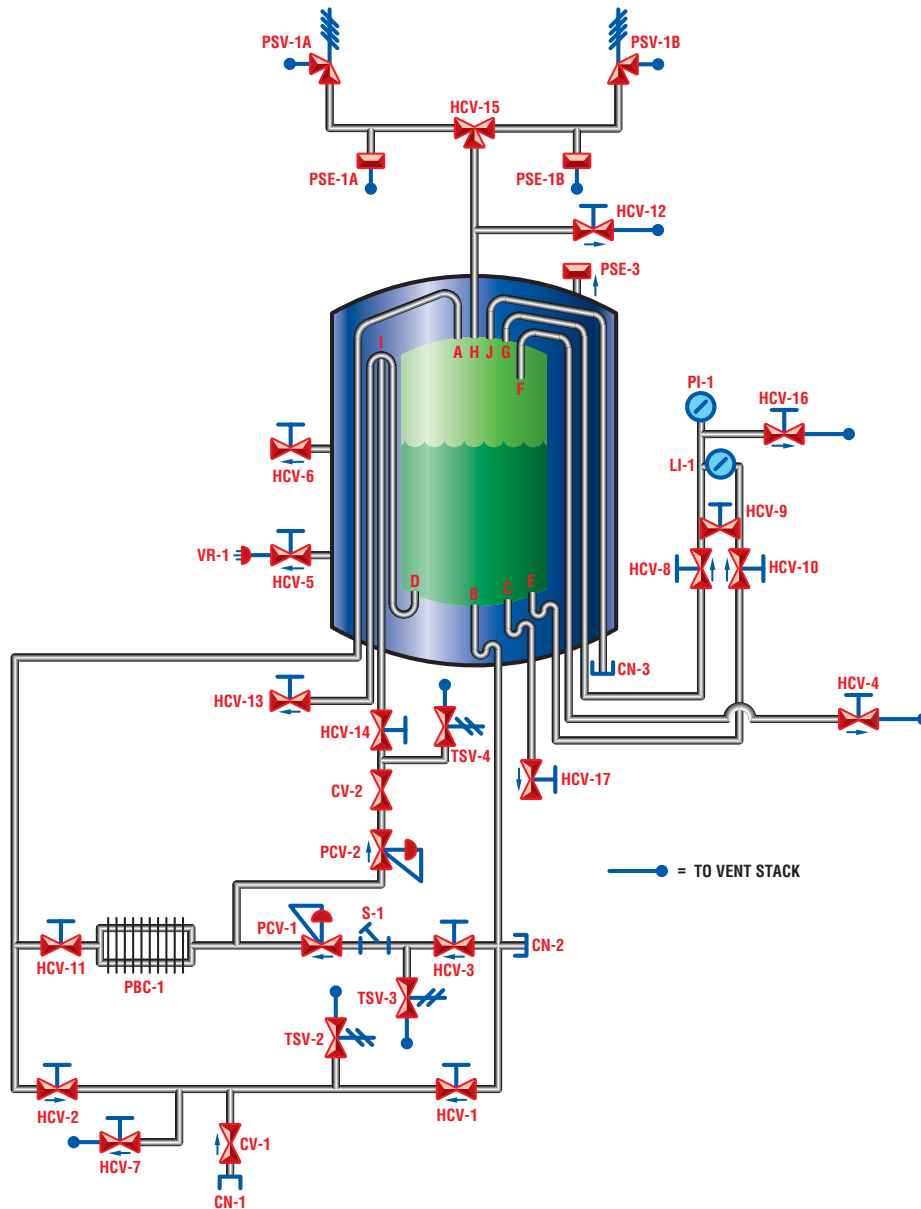




LNG INFRASTRUCTURE BULK TANK

TAYLOR - WHARTON
INTERNATIONAL LLC

AFT
Alternate Fuel
Technologies



LEGEND

CN-1. FILL CONNECTION	HCV-6. VACUUM PUMPOUT VALVE	HCV-15. RELEASE SYSTEM DIVERTER VALVE	PSE-3. VACUUM JACKET LIFT PLATE
CN-2. AUXILIARY LIQUID CONNECTION	HCV-7. FILL LINE DRAIN VALVE	HCV-16. INSTRUMENT CIRCUIT VENT VALVE	PSV-1A. TANK PRESSURE RELIEF VALVE
CN-3. VAPOR CONNECTION	HCV-8. VAPOR PHASE ISOLATION VALVE	HCV-17. AUXILIARY LIQUID VALVE	PSV-1B. TANK PRESSURE RELIEF VALVE
CV-1. FILL LINE CHECK VALVE	HCV-9. EQUALIZATION VALVE	S-1. STRAINER	TSV-2. THERMAL EXPANSION RELIEF VALVE
CV-2. ECONOMIZER CHECK VALVE	HCV-10. LIQUID PHASE ISOLATION VALVE	PBC-1. PRESSURE BUILDING COIL	TSV-3. THERMAL EXPANSION RELIEF VALVE
HCV-1. BOTTOM FILL VALVE	HCV-11. PRESSURE BUILDING ISOLATION VALVE	PCV-1. PRESSURE REGULATOR	TSV-4. THERMAL EXPANSION RELIEF VALVE
HCV-2. TOP FILL VALVE	HCV-12. TANK BLOWDOWN VALVE	PCV-2. BACK PRESSURE REGULATOR	VR-1. VACUUM PROBE
HCV-3. PRESSURE BUILDING ISOLATION VALVE	HCV-13. PRODUCT SUPPLY VALVE	PSE-1A. TANK RUPTURE DISK	PI-1. PRESSURE GAUGE, INNER VESSEL
HCV-4. TRYCOCK VALVE	HCV-14. ECONOMIZER ISOLATION VALVE	PSE-1B. TANK RUPTURE DISK	LI-1. LIQUID LEVEL GAUGE
HCV-5. VACUUM PROBE ISOLATION VALVE			

TAYLOR - WHARTON INTERNATIONAL LLC

The People You Know, The Products You Trust

www.twiglobaltech.com
www.taylorwharton.com
www.scicomposites.com

Global Gas Solutions For the 21st Century



American Welding & Tank
www.awtank.com

Taylor-Wharton
www.taylorwharton.com

Taylor-Wharton International
www.twiglobaltech.com

Structural Composites Industries
www.scicomposites.com

Sherwood Valve
www.sherwoodvalve.com